

Pacific Electric Winches

Precision-engineered, heavy duty construction and available in a range of single and three-phase models suitable for a range of hoisting and pulling applications.

Features

- High performance with low maintenance
- Brakes designed for both static and dynamic loading that automatically apply in the event of power loss
- IP65 Pendant control
- 24 volt push-button control supplied as standard on three-phase models.
- Compact load-sharing design of the heat-treated planetary gear ensures quiet operation and long life.
- Lightweight and compact, CWL series electric winches are ideal for portable use.

Applications

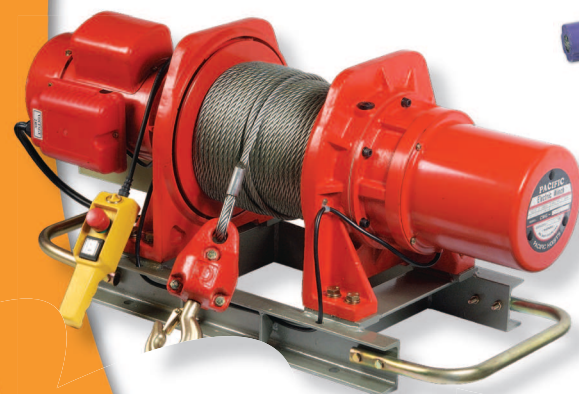
- Designed hoisting applications
- Hauling operations
- Construction sites
- Timber yards
- Elevator & rigging industry



CWL Range



CP Range

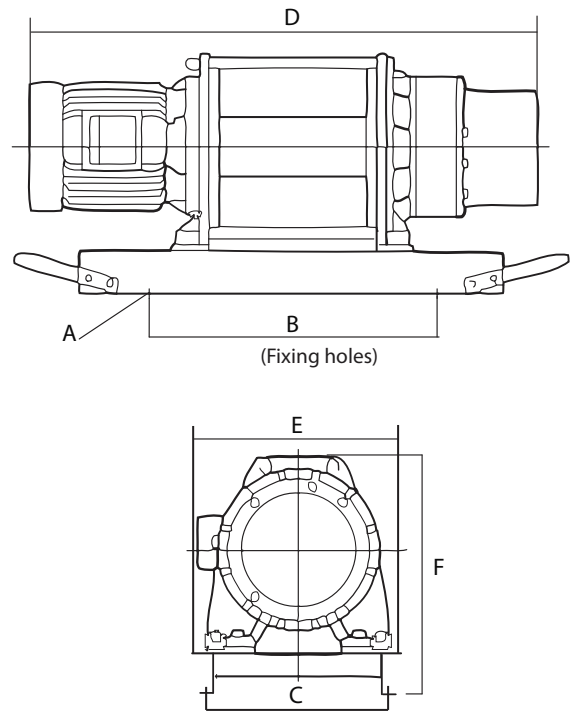


CWG Range



Dimensions

Model	A	B	C	D	E	F
CWL-200	8 x ø11	142	132	416	210	270
CWL-200L	8 x ø11	197	135	471	210	270
CP-200	4 x ø10.5	142	142	548	210	241
CP-250	4 x ø10.5	142	142	548	210	241
CP-300	4 x ø10.5	142	142	548	210	241
CWG-10077	4 x ø13.5	137	156	630	240	300
CWG-30075	4 x ø10.5	142	142	548	210	241
CWG-10151	4 x ø16	400	325	922	367	425
CWG-30151	4 x ø16	400	325	922	367	425
CWG-30265	4 x ø16	400	325	940	367	425
CWG-30375	4 x ø16	500	370	1009	400	445
CWG-30565	4 x ø16	620	495	1120	470	520
CWG-30750	4 x ø22	600	499	1246	565	658
CWG-31500	8 x ø30	847	680	1439	740	860
CWG-34000	8 x ø32	920	680	1860	740	905



Specifications

Model	Lift Capacity kg	Speed M/min	Phase Voltage	Wire Rope ømm x m	Weight kg
CWL-200	200	16	240 x 1	6 x 30	16
CWL-200L	200	16	240 x 1	5 x 71	19
CP-200	200	10-15	240 x 1	6 x 30	32
CP-250	250	10-15	240 x 1	6 x 30	34
CP-300	300	10-15	240 x 1	6 x 30	37
CWG-10077	300	12-17	240 x 1	7 x 40	44
CWG-30075	300	10-15	415 x 3	6 x 30	120
CWG-10151	400	12-18	240 x 1	9 x 60	34
CWG-30151	500	12-18	415 x 3	9 x 60	120
CWG-30265	650	12-18	415 x 3	9 x 60	160
CWG-30375	900	13-20.6	415 x 3	10 x 60	220
CWG-30565	1100	14-25	415 x 3	12 x 100	290
CWG-30750	2200	7-12	415 x 3	16 x 100	450
CWG-31500	3500	6.3-8	415 x 3	18 x 120	860
CWG-34000	5000	8-11.2	415 x 3	22.4 x 150	1500

Your nearest distributor;

The information contained in this flyer is to be used as a guide only, specifications subject to change without notice. All Materials Handling/Lifting jobs should be assessed individually. Pacific Hoists products are NOT to be used for lifting or lowering person/s.

PACIFIC HOISTS PTY LTD

www.pacifichoists.com.au



Head Office
 24 Foundry Road
 Seven Hills NSW 2147
 Tel: +61 2 8825 6900
 Fax: +61 2 8825 6999
 Email: sales@pacifichoists.com.au

Western Australia
 3/39 Tullock Way
 Canning Vale WA 6155
 Tel: +61 8 9456 4140
 Fax: +61 8 9456 4142
 Email: sales@pacifichoists.com.au

New Zealand
 11 Druces Road
 Manukau City South Auckland
 New Zealand
 Tel: +64 9 263 5566
 Fax: +64 9 263 5567
 Email: info@pacifichoists.co.nz

