

# JDN Air Hoists

J.D. Neuhaus had been manufacturing lifting equipment since 1745. JDN air hoists are safe and cost efficient, providing methods of pulling, lifting or lowering above or below ground.

## Features

- Manufactured in Germany under strict quality control with demanding tolerances.
- Low maintenance design.
- 100% duty cycle suits all environmental conditions.
- Only six atmospheres of compressed air required.
- Immune to dust, mud, dirt, grit, heat, vapours, humidity and temperatures ranging from -20 °C up to + 70 °C.
- ATEX Approved models for use in dangerous and explosive environments.
- Self-cooling economic air motor that will not overheat.
- Fail safe brake in case of air supply failure.
- Low decibel rating.
- Sensitive infinitely variable speed control for precise positioning of loads.
- Ideal for use in mines, chemical plants paint shops.

Example of PROFi Ti with closed coupled Trolley for maximum headroom



**PROFi 6Ti SHOWN WITH OPTIONAL F1 CONTROL**



[www.pacifichoists.com.au](http://www.pacifichoists.com.au)

# Applications

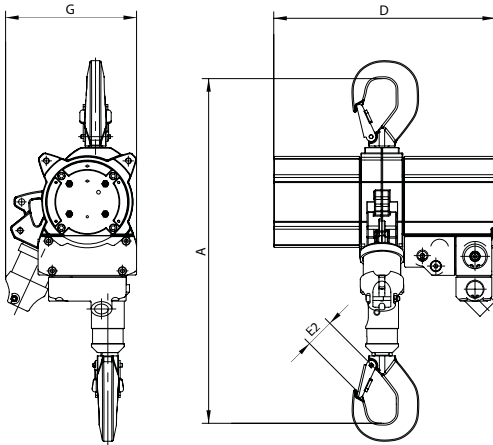


PROFi 0.5Ti operating in extreme conditions from high humidity, vapours & temperatures with the risks of explosion. Handling high pressure injection heads in tank cleaning installation.



Mounting of a steel door weighing 33 tonne with two JDN PROFi 25 Ti.

## Dimensions and Specifications



Model	0.5Ti	1Ti	2Ti	3Ti	6Ti	10Ti	16Ti	20Ti
Dimensions mm D	297	297	297	483	483	575	692	692
G	176	176	176	233	233	306	306	315
E2	28	28	28	30	40	44	53	75
Headroom A	450	450	498	593	674	813	893	1090

Model	0.5Ti	1Ti	2Ti	3Ti	6Ti	10Ti	16Ti	20Ti
Rated Capacity tonne	0.5	1	2	3.2	6.3	10	16	20
Stock code	JDN705	JDN715	JDN725	JDN735	JDN765	JDN775	JDN785	JDN795
Weight at standard 3m lift kg	27	28	34	86	110	156	240	298
Motor output kW	1.0	1.0	1.0	3.5	3.5	3.5	3.5	2.5
Chain dimension mm	7x21	7x21	7x21	13x36	13x36	16x45	16x45	16x45
Air pressure bar	6	6	6	6	6	6	6	6
Air consumption at full load m <sup>3</sup> /min	Lifting: 1.2 Lowering: 1.5	Lifting: 1.2 Lowering: 1.5	Lifting: 1.2 Lowering: 1.5	Lifting: 3.2 Lowering: 3.8	Lifting: 3.2 Lowering: 3.8	Lifting: 3.2 Lowering: 3.8	Lifting: 3.2 Lowering: 3.8	Lifting: 2.9 Lowering: 3.7
Air connection	G½	G½	G½	G¾	G¾	G¾	G¾	G¾
Lifting speed at full load m/min	11	5.5	2.7	5	2.5	1.6	1.0	0.55
Lowering speed at full load m/min	17	11	5.5	10.8	5.4	3.4	2.1	1.4

\* Profi Range up to 100 tonne. Custom lift heights also available. Weight and headroom based on Profi standard model with rope control and no chain bucket.

Your nearest distributor;

The information contained in this flyer is to be used as a guide only, specifications subject to change without notice. All Materials Handling/Lifting jobs should be assessed individually. Pacific Hoists products are NOT to be used for lifting or lowering person/s.

PACIFIC HOISTS PTY LTD

[www.pacifichoists.com.au](http://www.pacifichoists.com.au)



Head Office  
24 Foundry Road  
Seven Hills NSW 2147  
Tel: +61 2 8825 6900  
Fax: +61 2 8825 6999  
Email: [sales@pacifichoists.com.au](mailto:sales@pacifichoists.com.au)

Western Australia  
3/39 Tullock Way  
Canning Vale WA 6155  
Tel: +61 8 9456 4140  
Fax: +61 8 9456 4142  
Email: [sales@pacifichoists.com.au](mailto:sales@pacifichoists.com.au)

New Zealand  
11 Druces Road  
Manukau City South Auckland  
New Zealand  
Tel: +64 9 263 5566  
Fax: +64 9 263 5567  
Email: [info@pacifichoists.co.nz](mailto:info@pacifichoists.co.nz)

